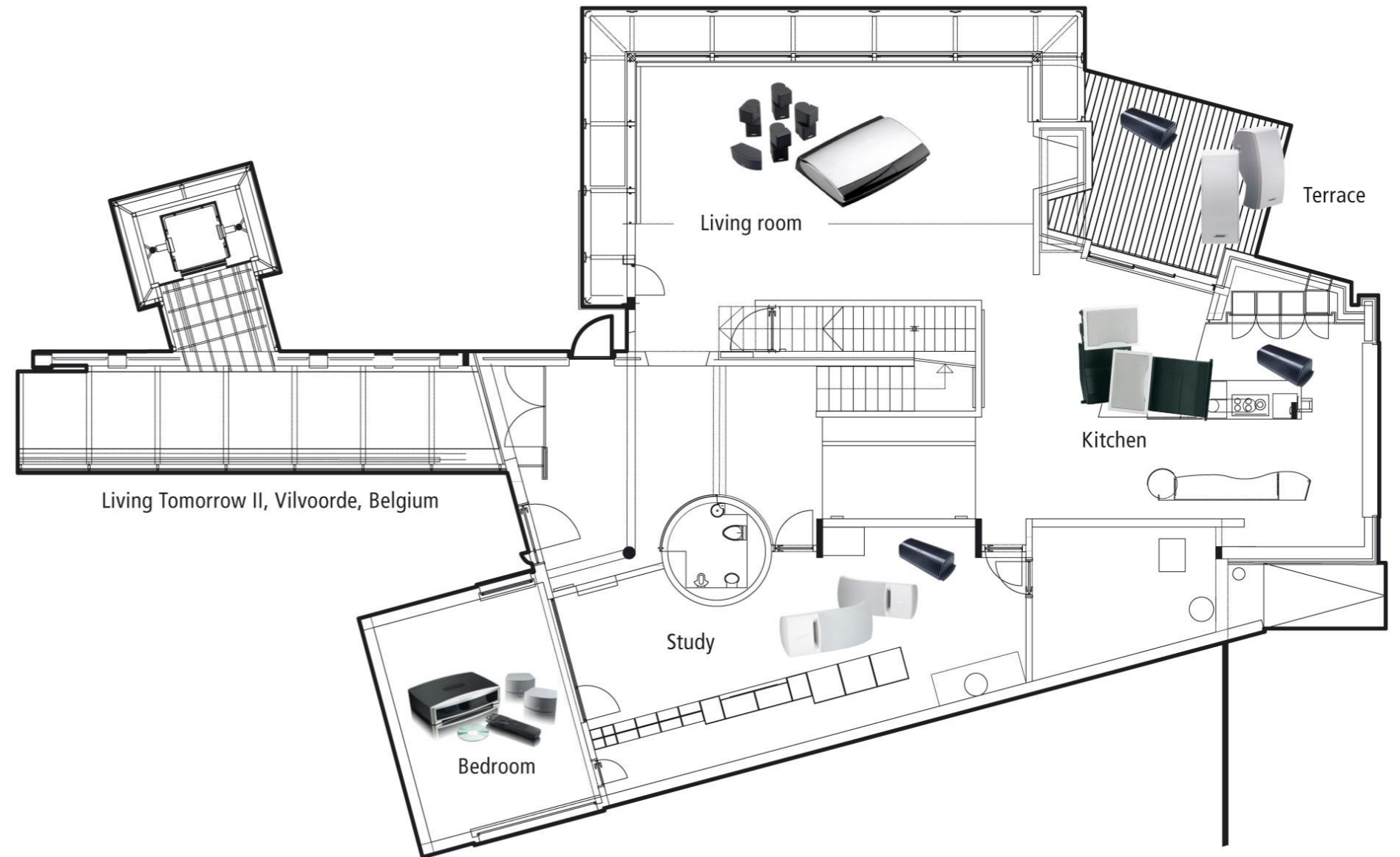


BOSE® link – Music Throughout Your Home



With BOSE® link we made adding rooms much easier and convenient.



Monday, June 9, 2014

BOSE

**What if a customer is willing to extend
his LIFESTYLE[®] system to other rooms...**

...even wants you to install several systems throughout the house...

...how can you wire it in a convenient way hiding away all cabling?

BOSE® Professional Installation System

BPIS

Technical Training

Monday, June 9, 2014



What is BPIS?

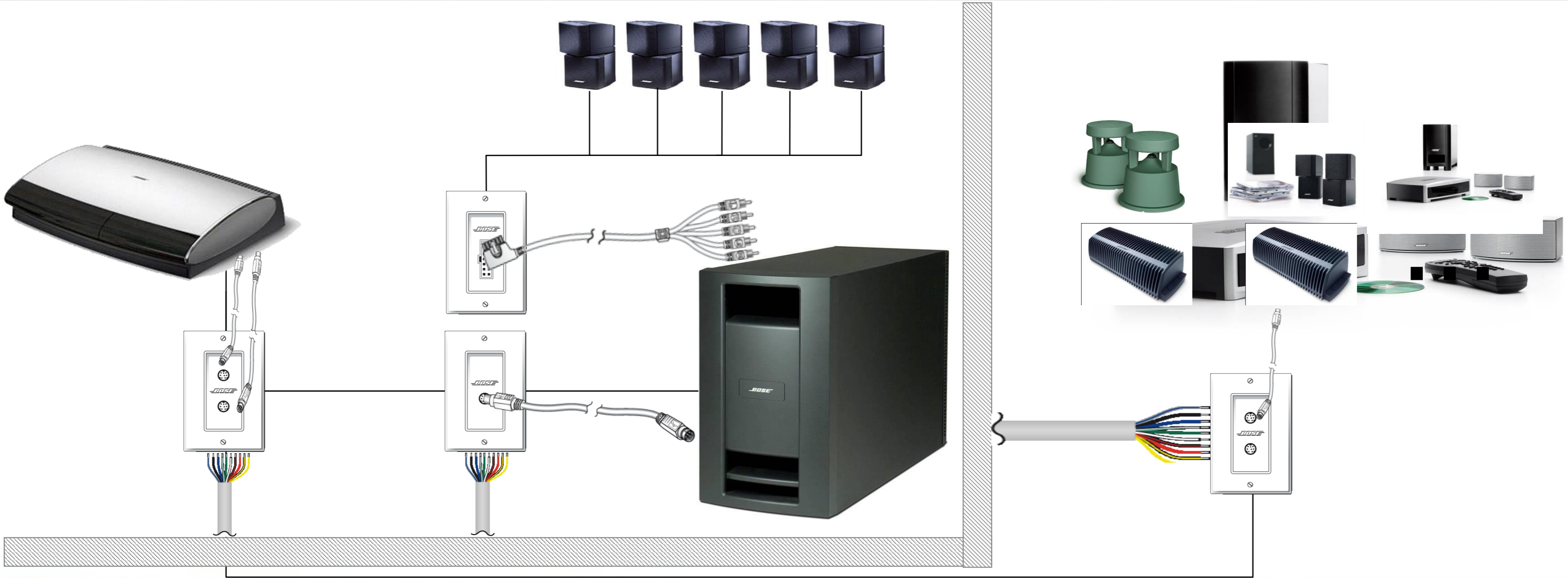
The Professional Installation System enables a LIFESTYLE® system from Bose to be fully integrated into your home.



Monday, June 9, 2014

BOSE

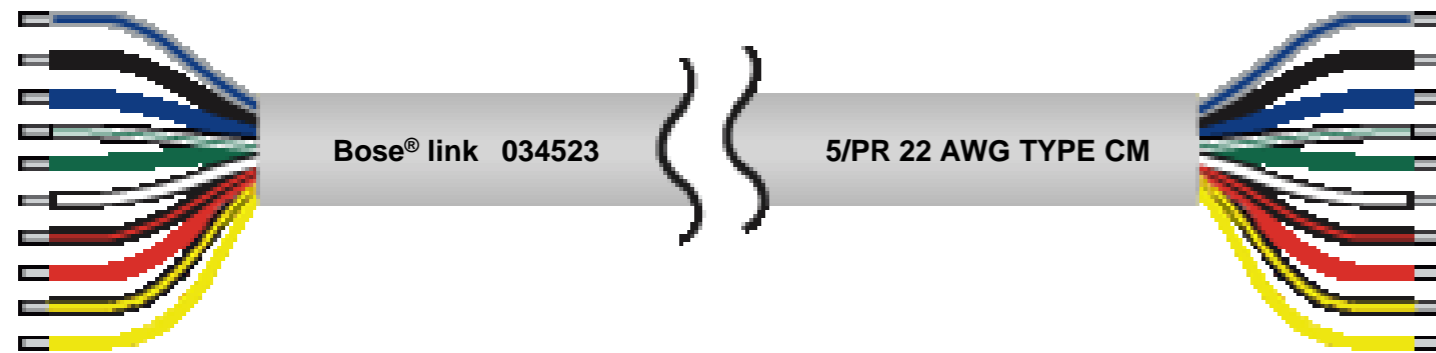
BOSE® Professional Installation System



Monday, June 9, 2014

BOSE

BOSE® System Cable II



- In-wall cable with Bose marking – Easier for installers to identify the right cable
- 5 shielded wire pairs and drains (10 conductors with 5 drain wires)
- 150 meter and 300 meter rolls available
- To be used with BPIS Series II plates (latest)
- *The old yellow Bose System cable can still be used if you exclusively use SA-2 and SA-3 amplifiers.*
- *If you also want to connect older products like the ACOUSTIMASS® 20P you have to use the new grey cable.*



Monday, June 9, 2014

BOSE

BOSE® Professional Installation System BPIS

Components overview

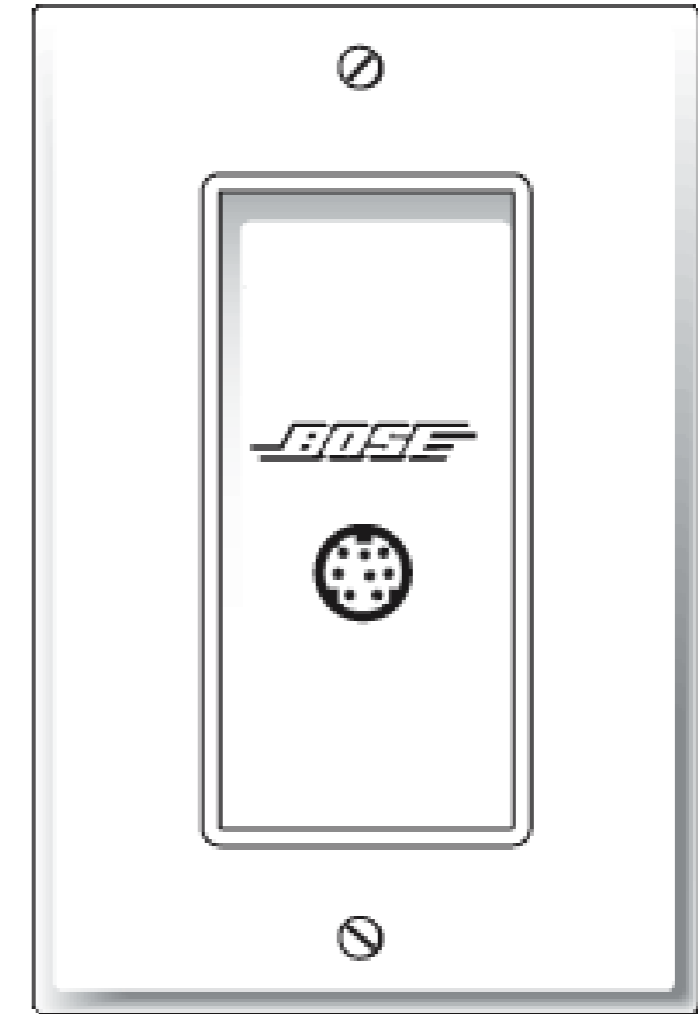
Monday, June 9, 2014



Source/Destination Plate

Single Mini-DIN version

- Allows you to connect
 - BOSE® link compatible products
 - Bose Home Theater ACOUSTIMASS® modules
 - Local sources e.g. to SA amplifiers
- Carries both zone streams or digital information from media center (LIFESTYLE®) depending on usage



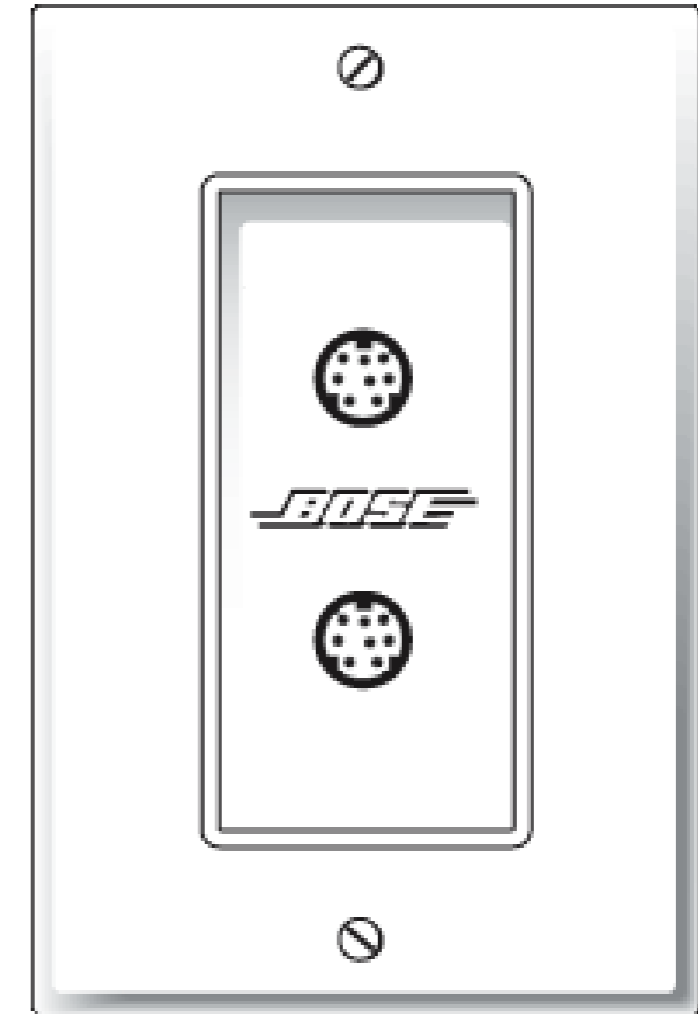
Monday, June 9, 2014

BOSE

Source/Destination Plate

Double Mini-DIN version

- Allows you to connect the Media-Center output to the base module and the BOSE® link output
- Carries both zone streams
- Simplifies hooking up local sources



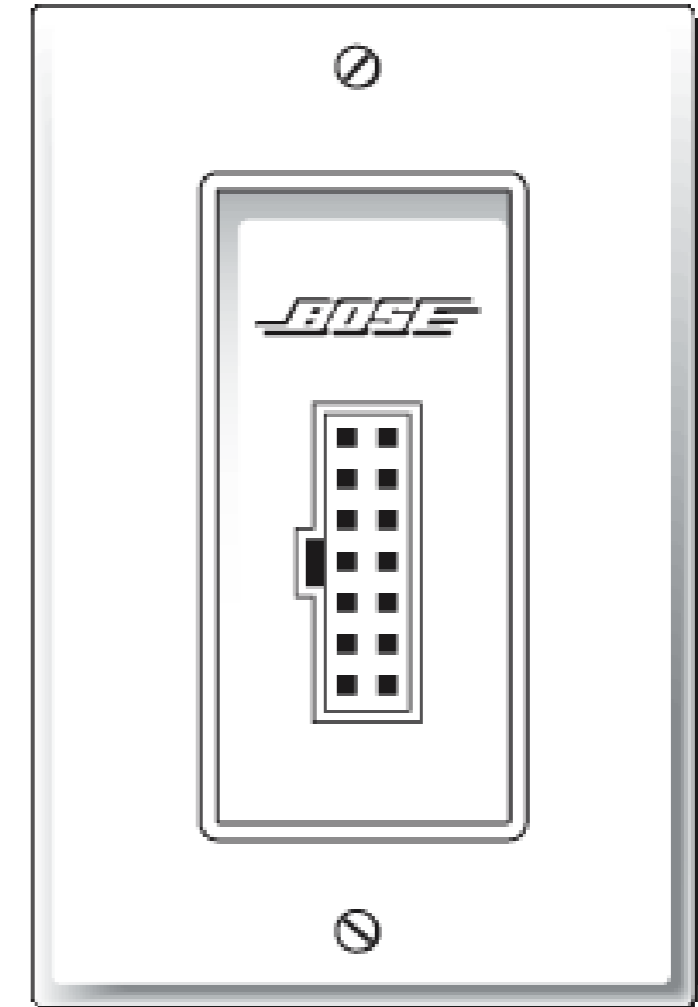
Monday, June 9, 2014

BOSE

Speaker Plate

Allows you to connect cube speakers to LIFESTYLE®
ACOUSTIMASS® base modules

- 14-pin Molex™ connector

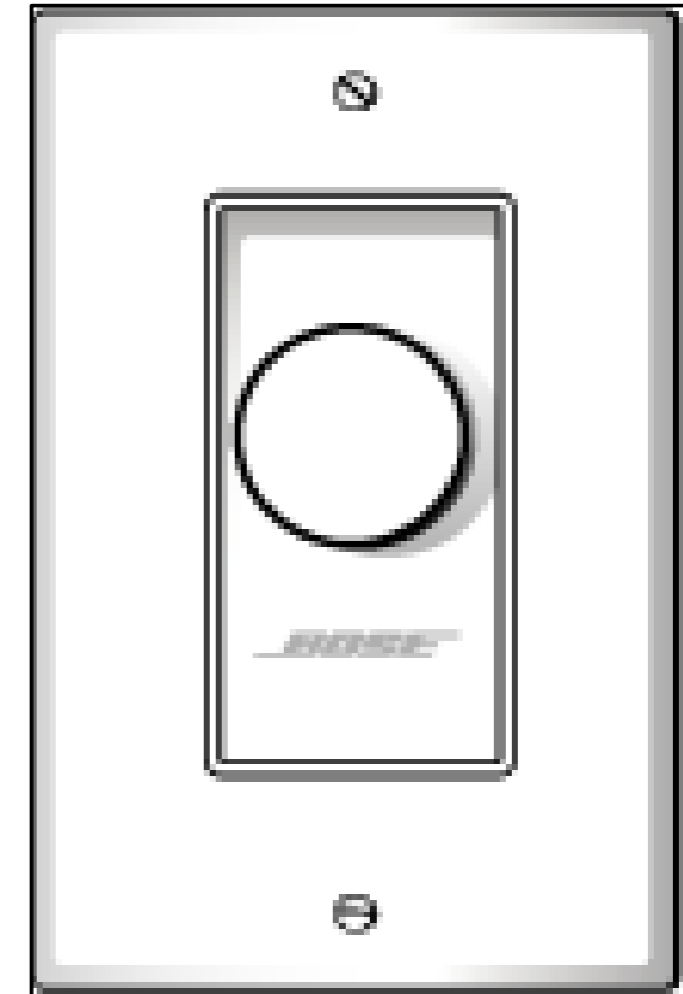


Monday, June 9, 2014

BOSE

VCA – Volume control

Can be connected to SA-Amplifiers to locally control the volume without remote control

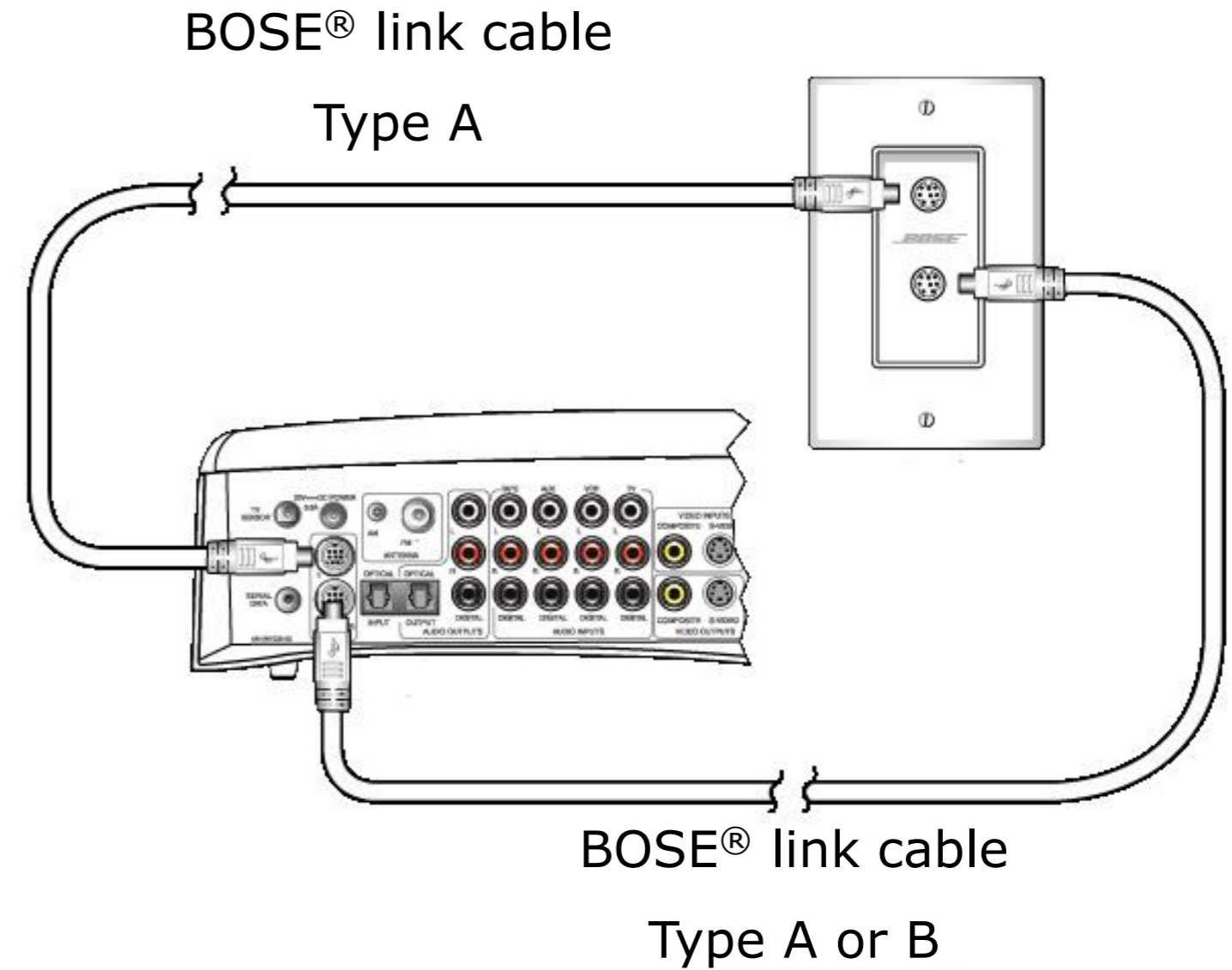


Monday, June 9, 2014

BOSE

Source/Destination Plate Connection

Connection to LIFESTYLE® Media Center
Always use a BOSE® link Type A cable to the
ACOUSTIMASS® module



BOSE® Professional Installation System BPIS

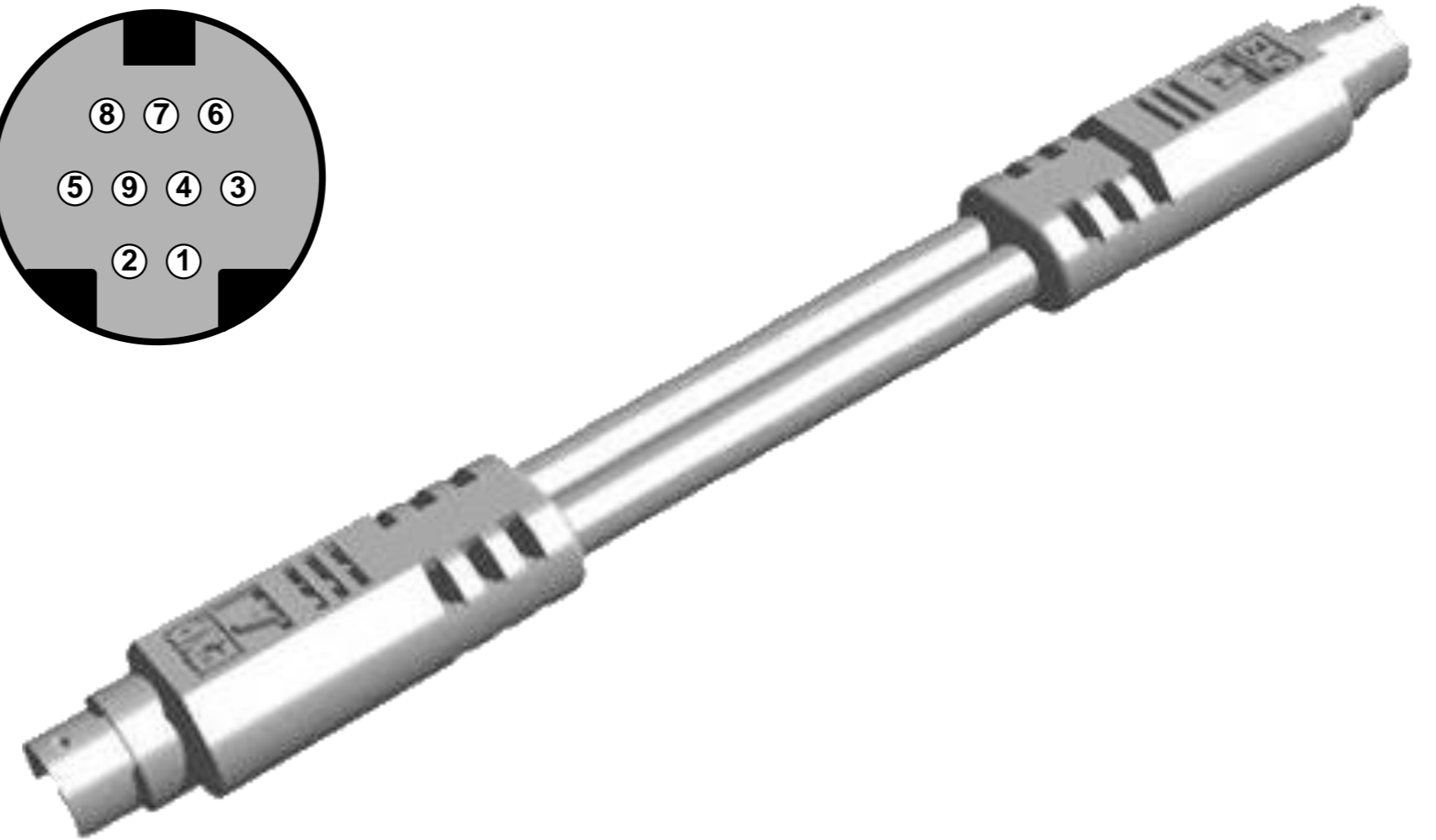
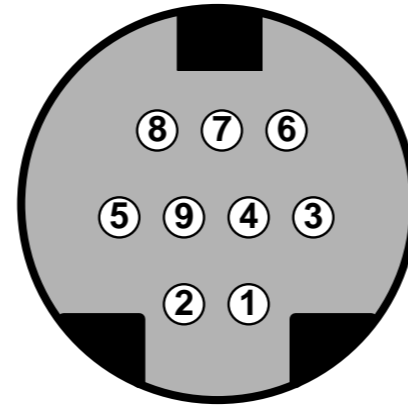
Cables overview

Monday, June 9, 2014



Interconnect BOSE® link cable

- 9-pin mini-DIN <--> 9-pin mini-DIN
- Included for SA amplifiers
- Available in
 - 0,6 m black
 - 2,1 m white
 - 15 m black



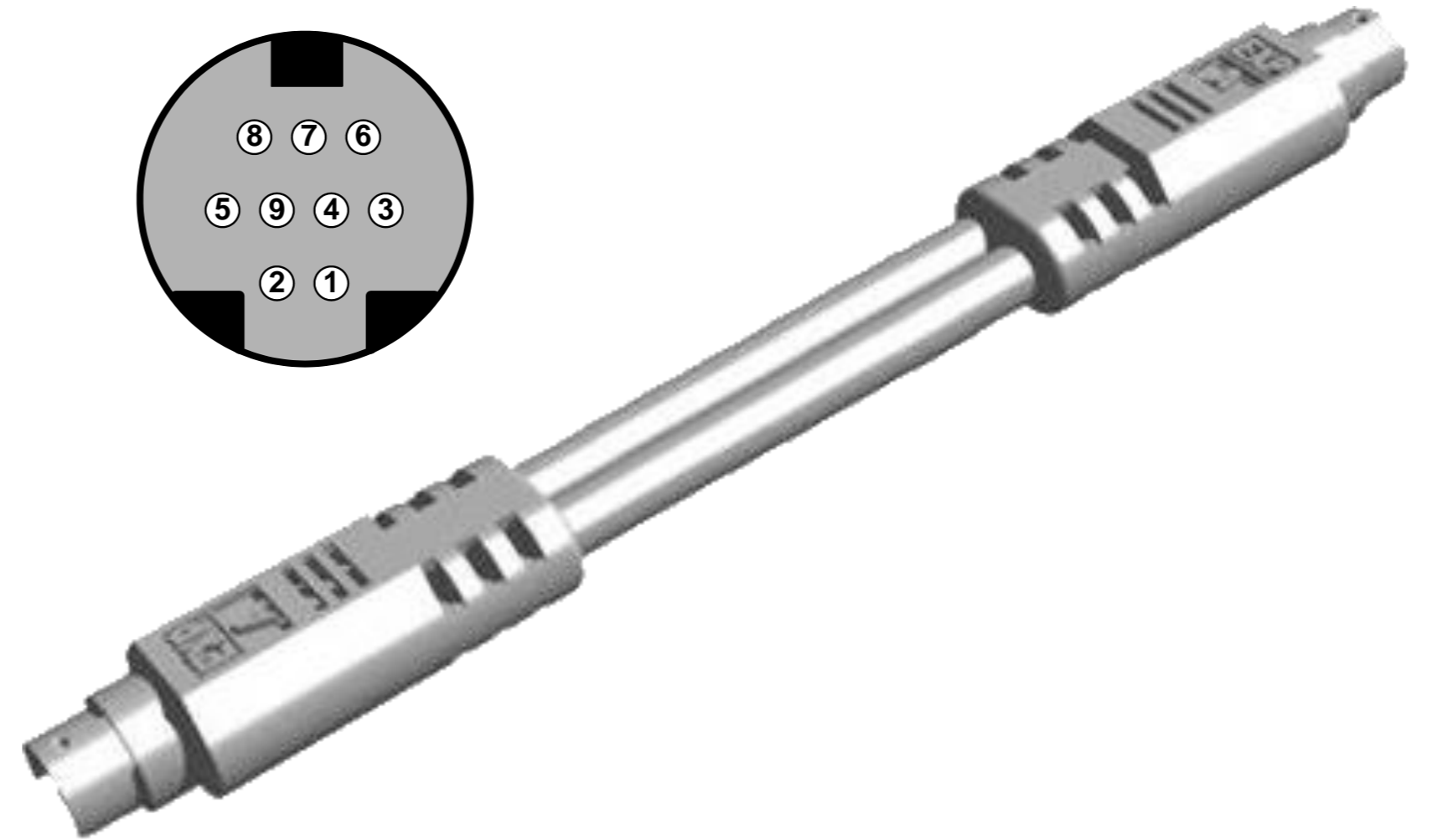
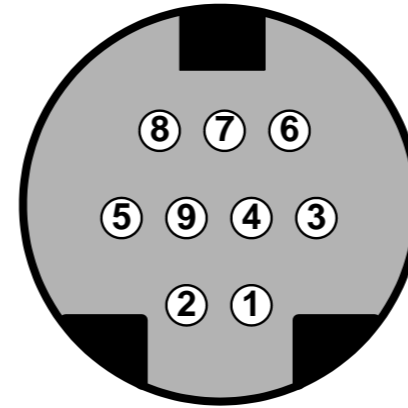
Monday, June 9, 2014

BOSE

Interconnect BOSE® link cable – Type A

Usage: LIFESTYLE® media center to ACOUSTIMASS® module connecting cable:

1. **SPDIF 0**
2. **SPDIF 1**
3. Main FIX L - FIX 1
4. Main FIX R - FIX 1
5. Ground
6. On / Off
7. Serial Data
8. Ground
9. Not connected



Monday, June 9, 2014

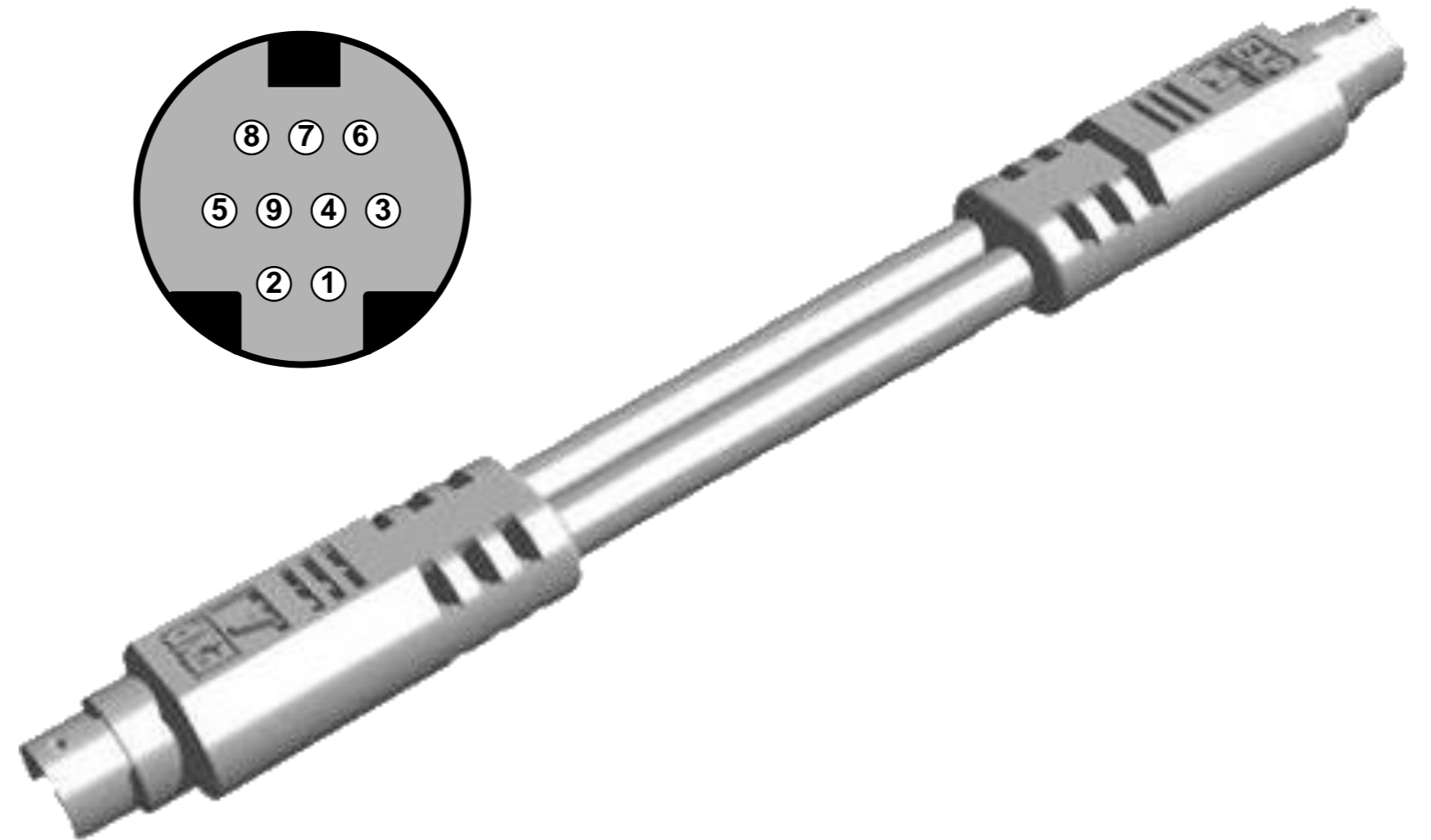
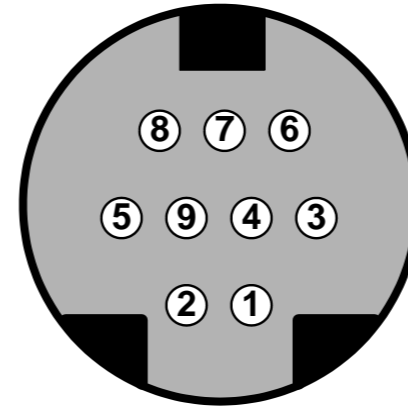
BOSE

Interconnect BOSE® link cable – Type A

Usage: BOSE® link cable
(Enables variable output)

1. **BOSE® link VAR L - VAR 2**
2. **BOSE® link VAR R - VAR 2**
3. Bose Link FIX L - FIX 2
4. Bose Link FIX R - FIX 2
5. Main FIX R - FIX 1
6. On / Off
7. Serial Data
8. Ground
9. Main FIX L - FIX 1

To be used for e.g. ACOUSTIMASS® 20
or SA amplifiers



Monday, June 9, 2014

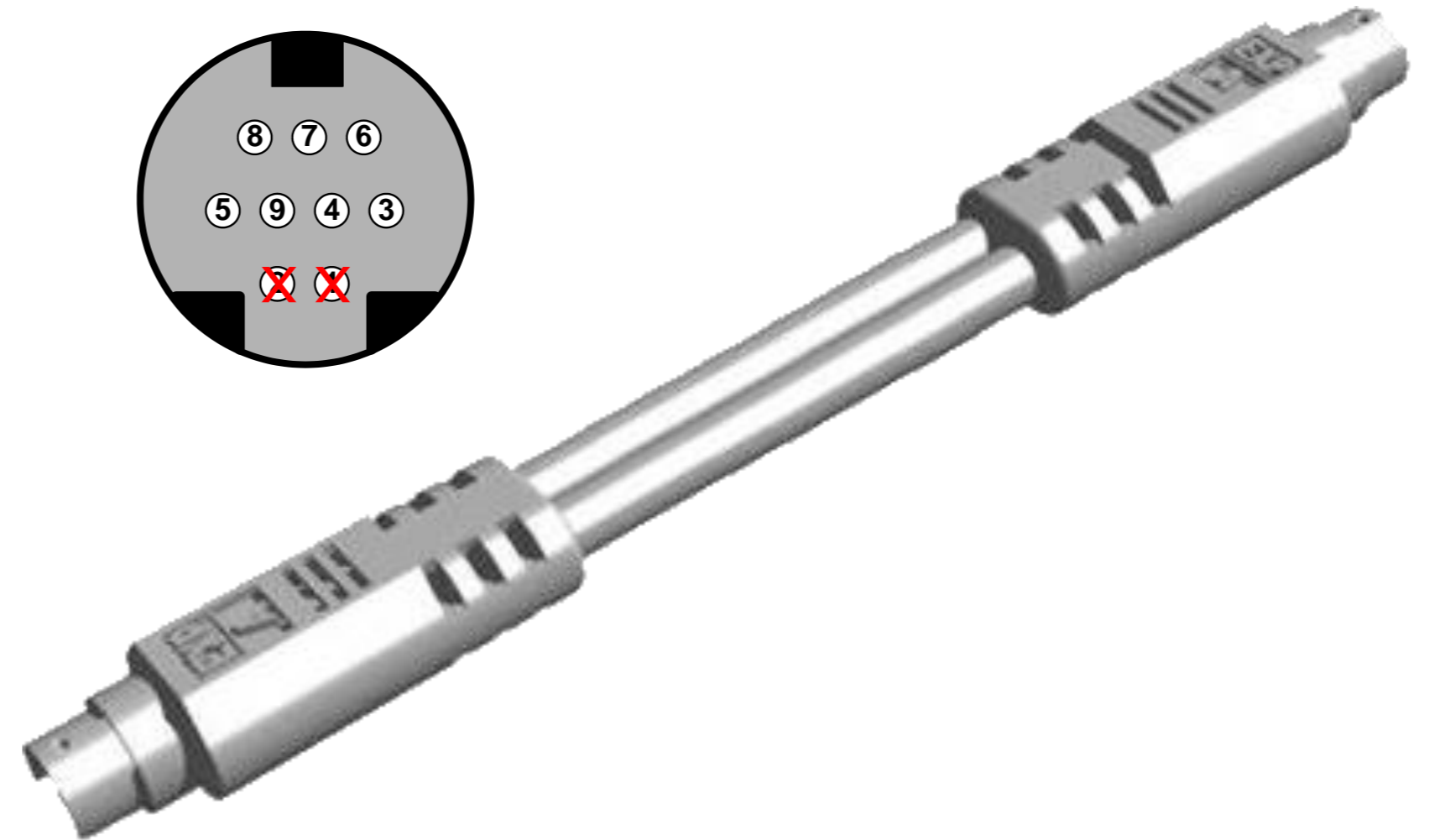
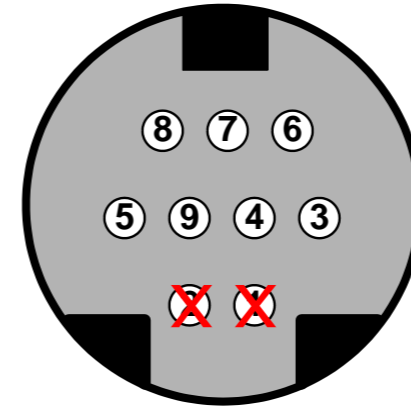
BOSE

Interconnect BOSE® link cable – Type B

Usage: BOSE® link cable

To be used for all BOSE® link enabled products

1. **NOT CONNECTED**
2. **NOT CONNECTED**
3. Bose Link FIX L - FIX 2
4. Bose Link FIX R - FIX 2
5. Main FIX R - FIX 1
6. On / Off
7. Serial Data
8. Ground
9. Main FIX L - FIX 1

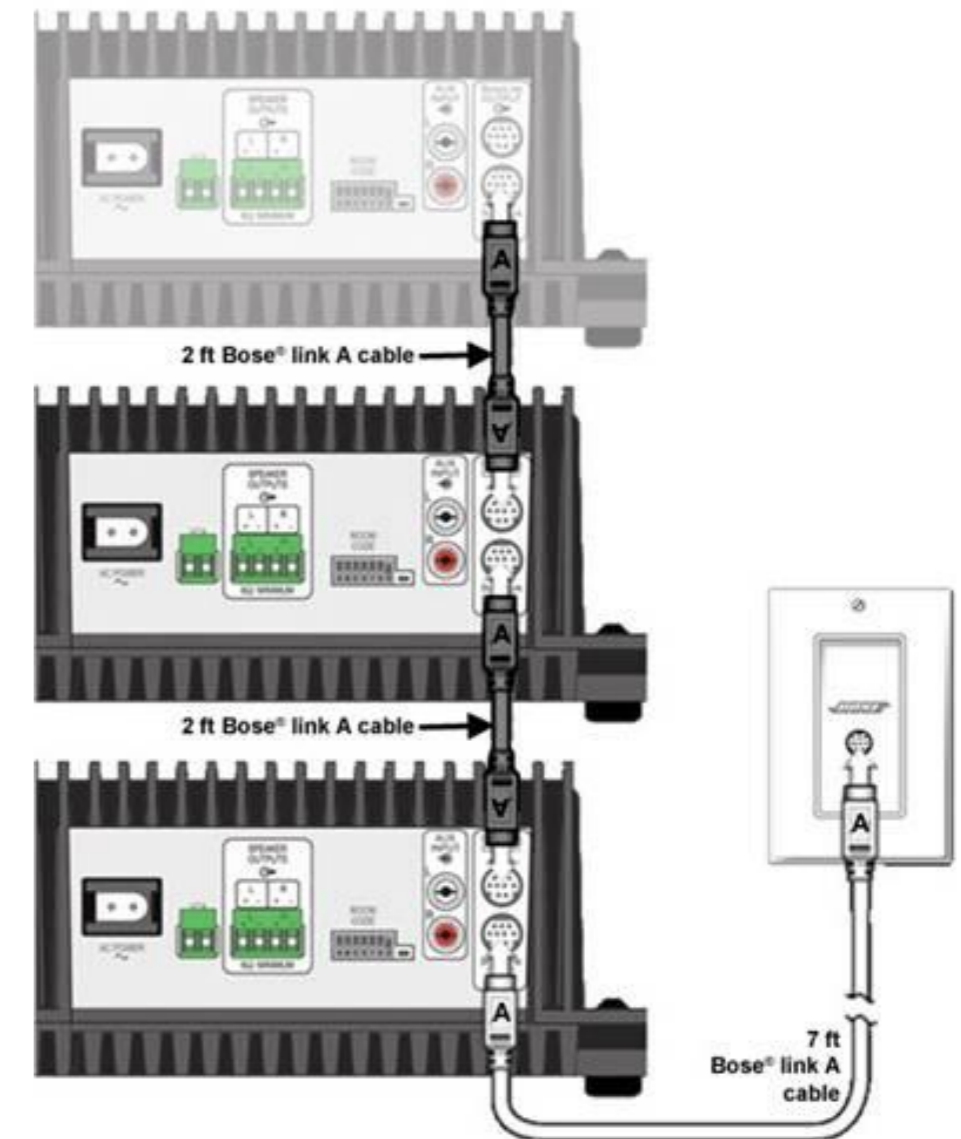


Monday, June 9, 2014

BOSE

Interconnect jumper BOSE® link cable – Type A

Usage: Daisy-chain two or more SA amplifiers
Length: **60 cm**
Color: Black



Monday, June 9, 2014

BOSE

Why two different cables Type A and B?

Couldn't we always use a type A cable with all pins assigned?

- 321[®] and WAVE[®] Radio/Music Systems have a signal (WMS: CD-Changer power supply) assigned to these pins!
- Have to be connected with a BOSE[®] link Type B cable

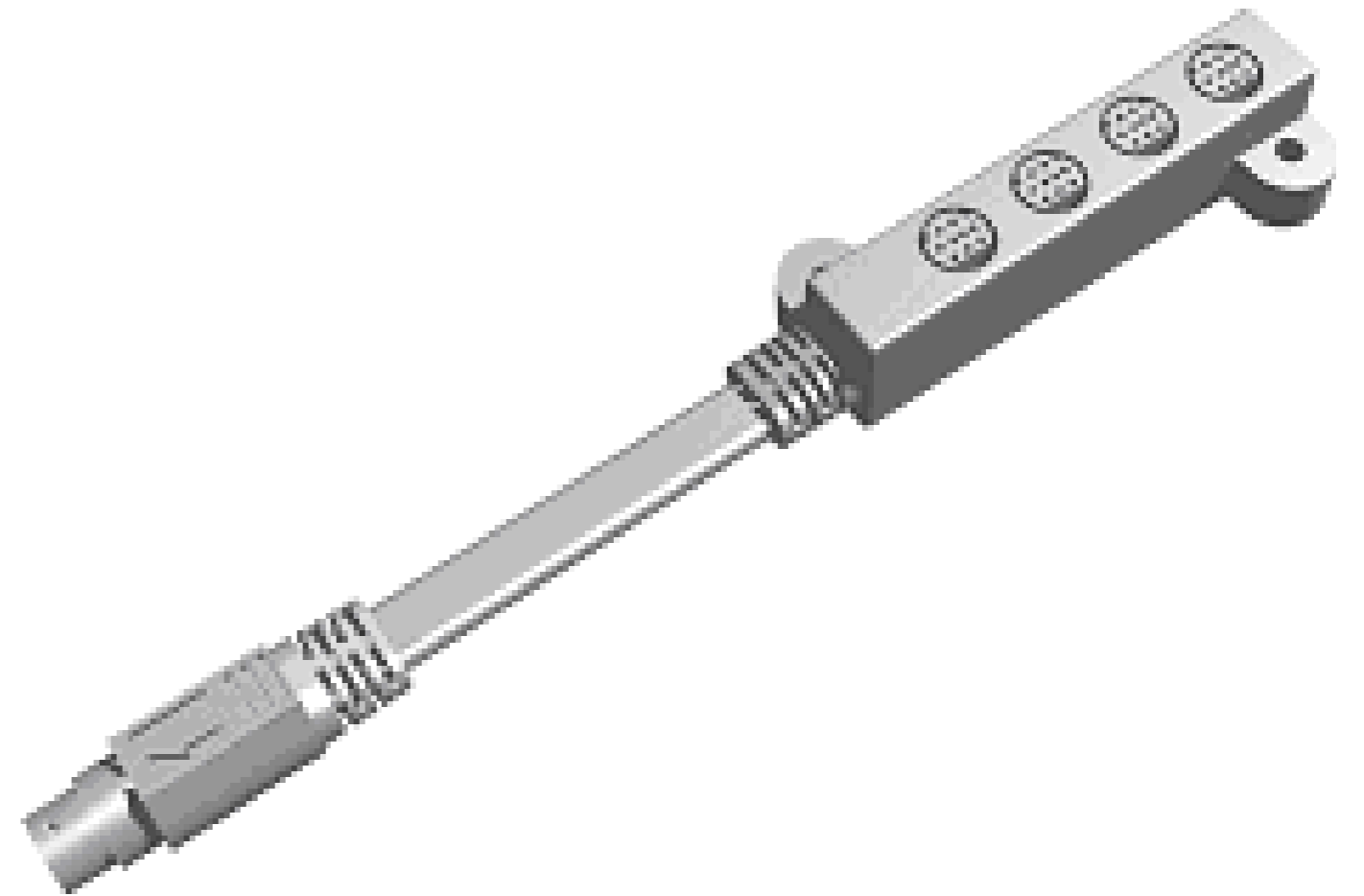


Monday, June 9, 2014

BOSE

BOSE® link cable – Distributor

- Extension/Expansion cable – 2 in 1
 - Type A
 - Extension: 15 m
 - Expansion: Distributor – 4 female connectors



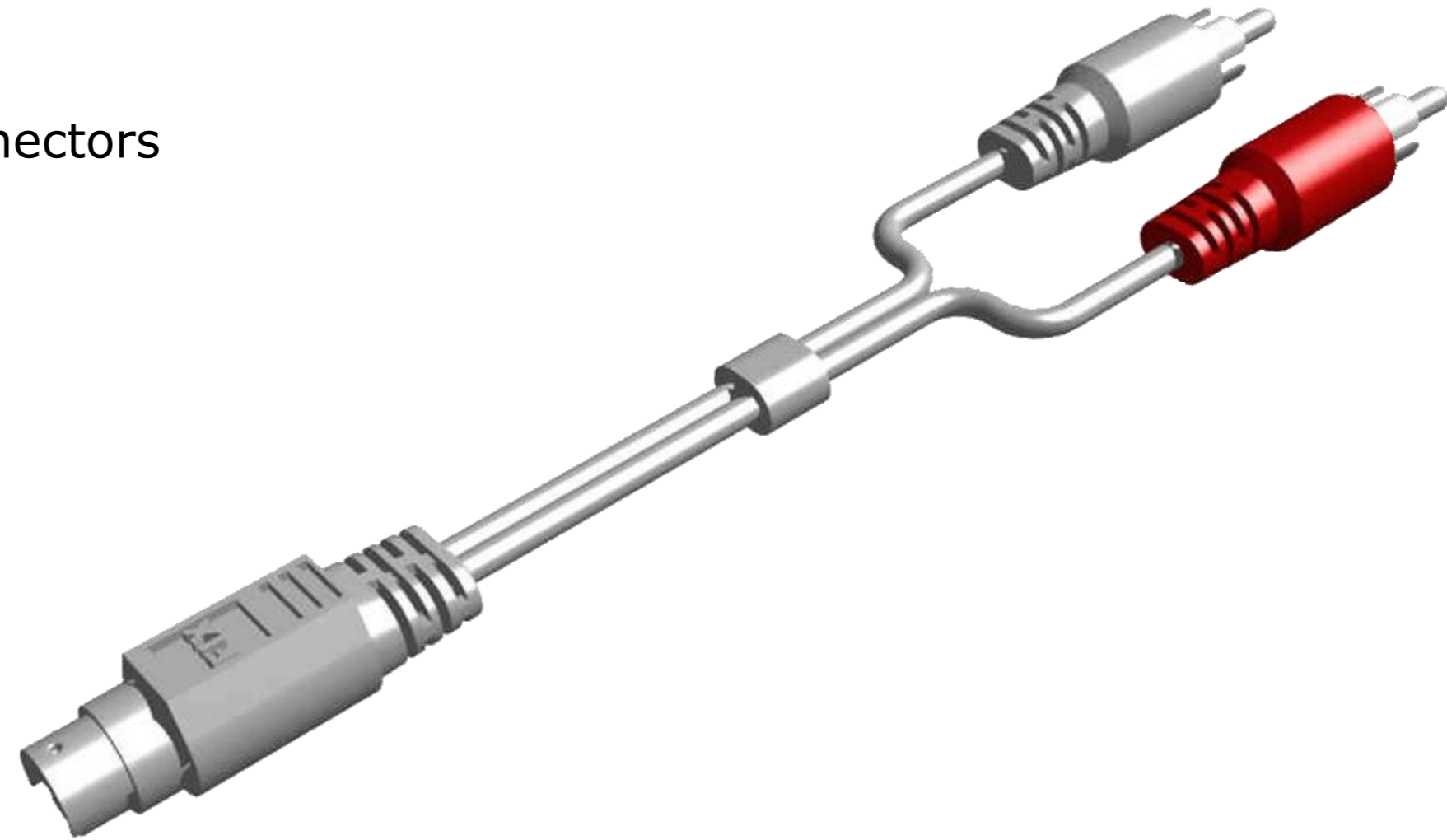
Monday, June 9, 2014

BOSE

BOSE® link cable – Local Input/Output

Destination <-> RCA Fixed Cable

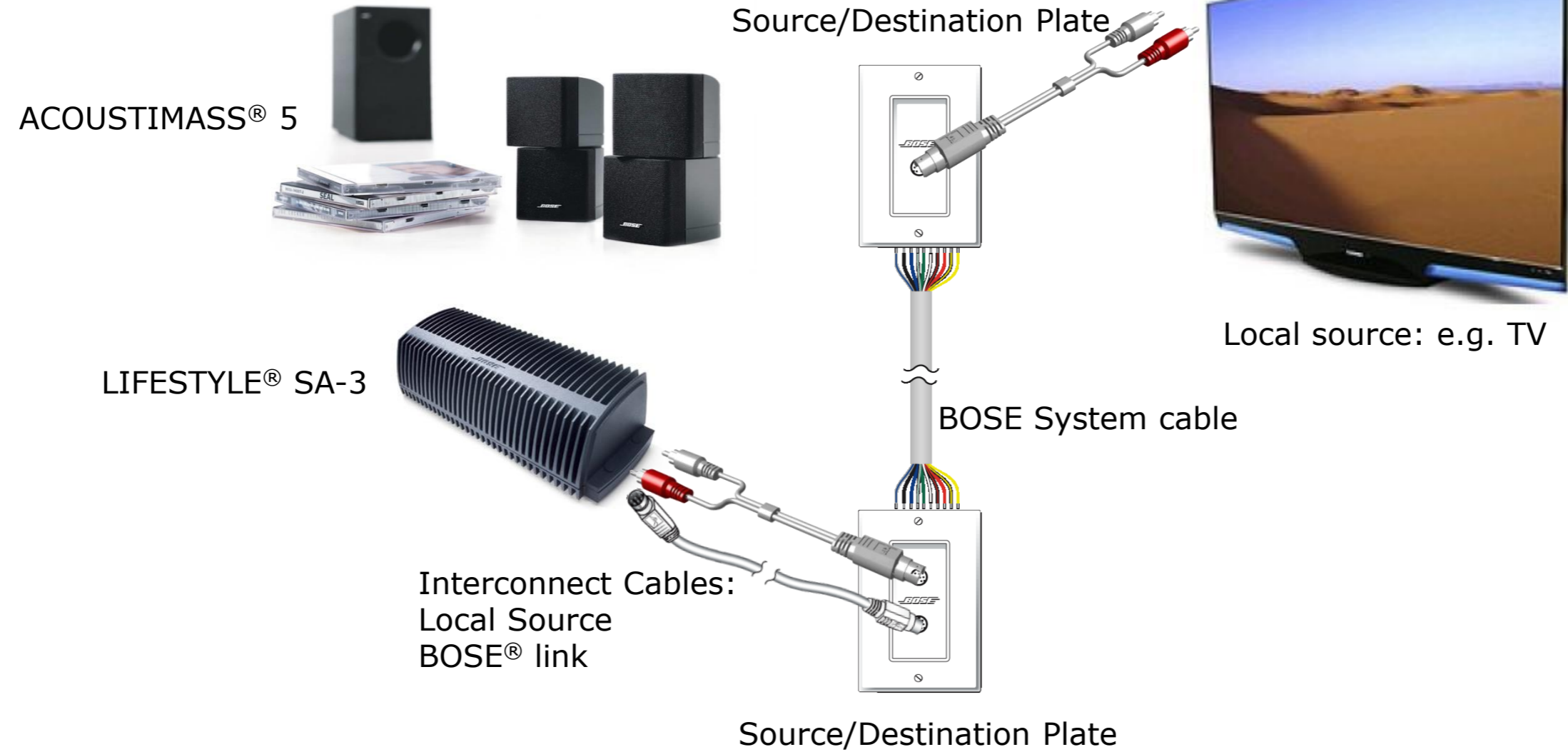
- 9-pin mini DIN connector <-> 2 RCA connectors
- Usage: Connecting local source



Monday, June 9, 2014

BOSE

Adding a Local Source



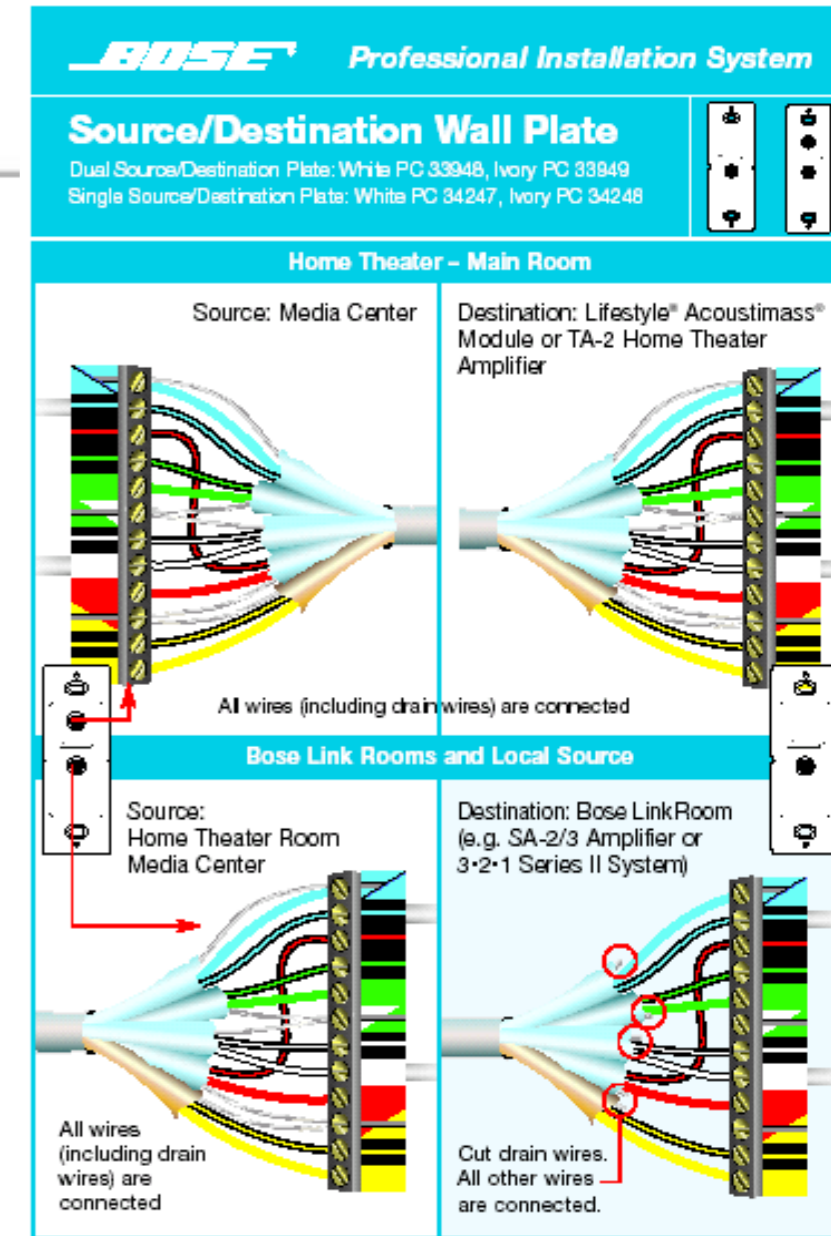
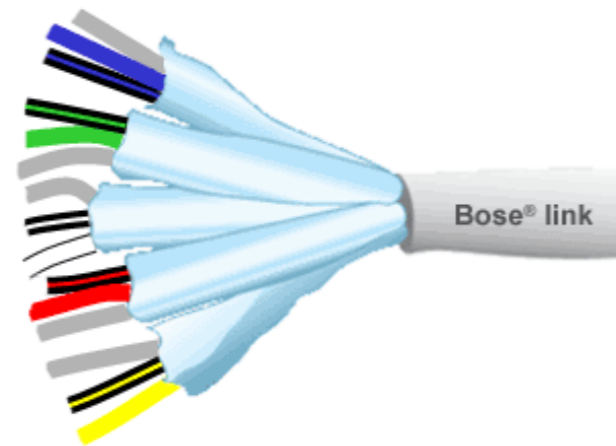
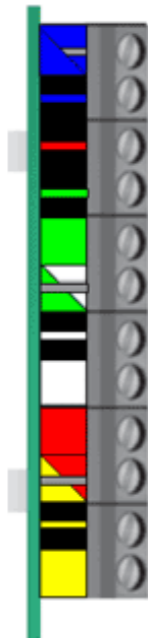
Monday, June 9, 2014

Source/Destination Plate Connections

Wall plates: Color-coded terminals

Quick and consistent connection of BOSE® link System Cable

Match colors and connect drain wires



For technical assistance, call (877) 633-4405

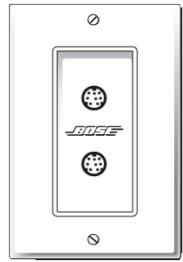
BOSE
Better sound. Enough room.
©2004 Bose Corporation, The Mountain
Frammingham, MA 01701-6168 USA



Monday, June 9, 2014

BOSE

Main Room Connection Detail



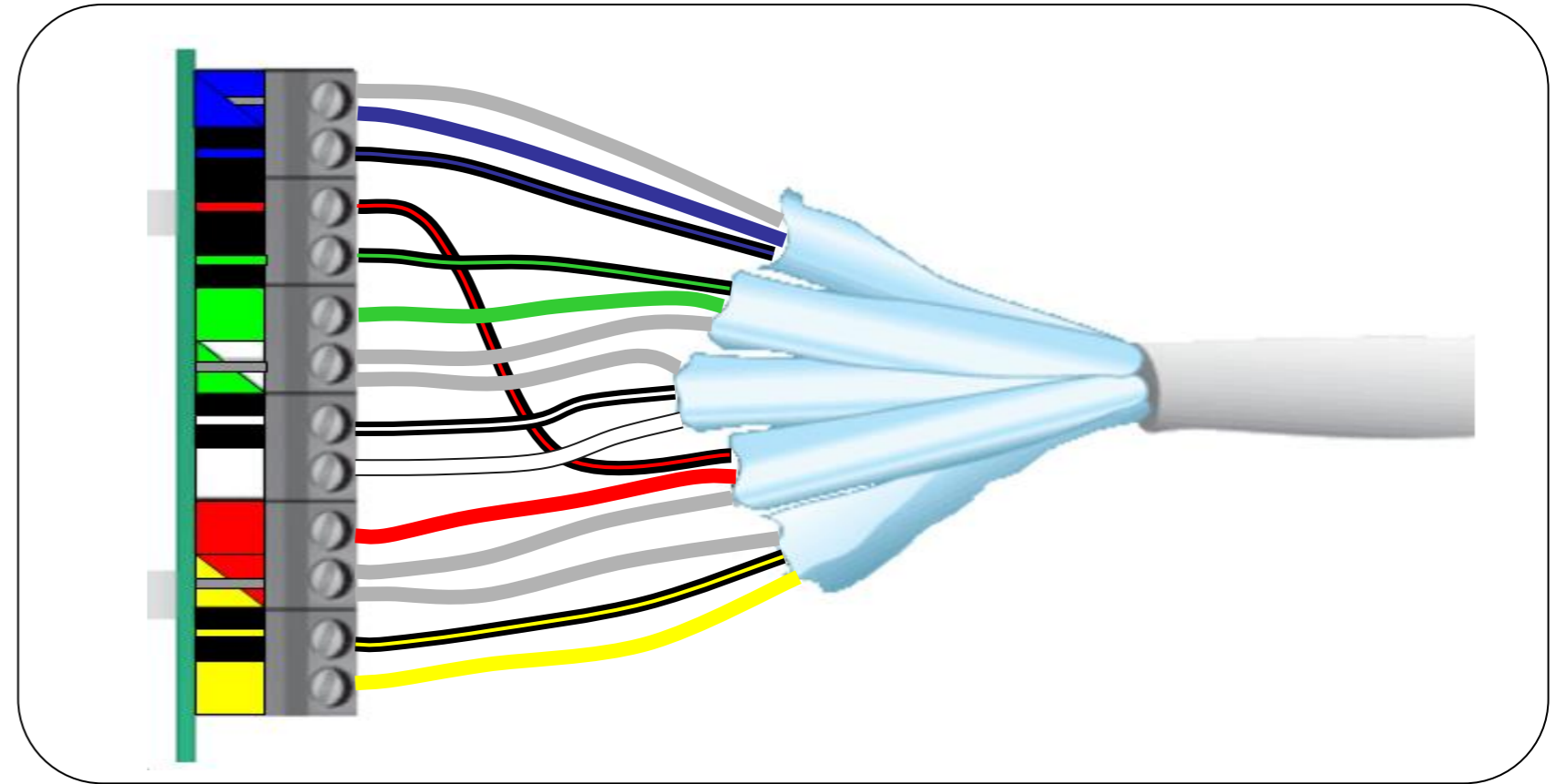
Source/Destination Plate

SOURCE:
Match color for color &
connect the drain wires

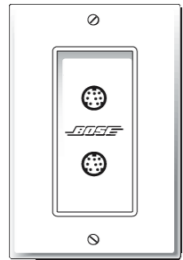


Source/Destination Plate

DESTINATION:
Match color for color &
connect the drain wires



BOSE® link Room Connection Detail



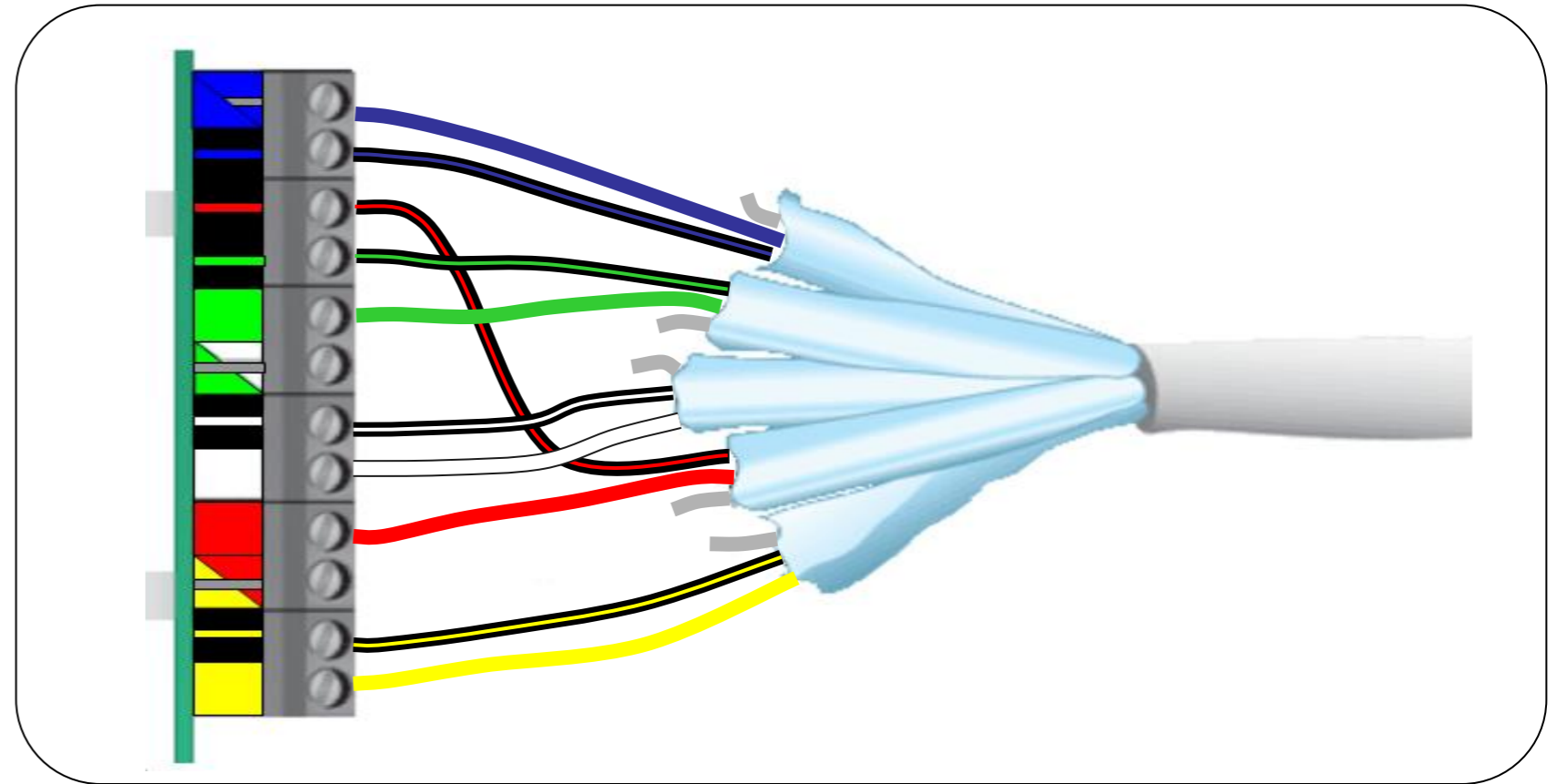
Source/Destination Plate

SOURCE:
Match color for color &
connect the drain wires



Source/Destination Plate

DESTINATION:
Match color for color &
cut the drain wires



Monday, June 9, 2014

Wiring Rules

Source System	Source/Destination Plate Location		Destination System
	Source	Destination	
Main Room			
Media Center	<i>Connect all Wires</i>	<i>Connect all Wires</i>	Home Theater Module
BOSE® link rooms			
Media Center	<i>Connect all wires</i>	<i>Trim drain wires</i>	SA amplifier
Local Source	<i>Connect all wires</i>	<i>Trim drain wires</i>	SA amplifier
Media Center	<i>Connect all wires</i>	<i>Trim drain wires</i>	BOSE® link enabled system
Media Center	<i>Connect all wires</i>	<i>Trim drain wires</i>	MA amplifier



Monday, June 9, 2014

BOSE

Why trimming drain wires?

The drain wires have to be trimmed on the destination side because you are creating a ground loop of two devices connecting the drain wires to source and destination.

This might result due to the possible different ground potentials of the devices in a mains hum.

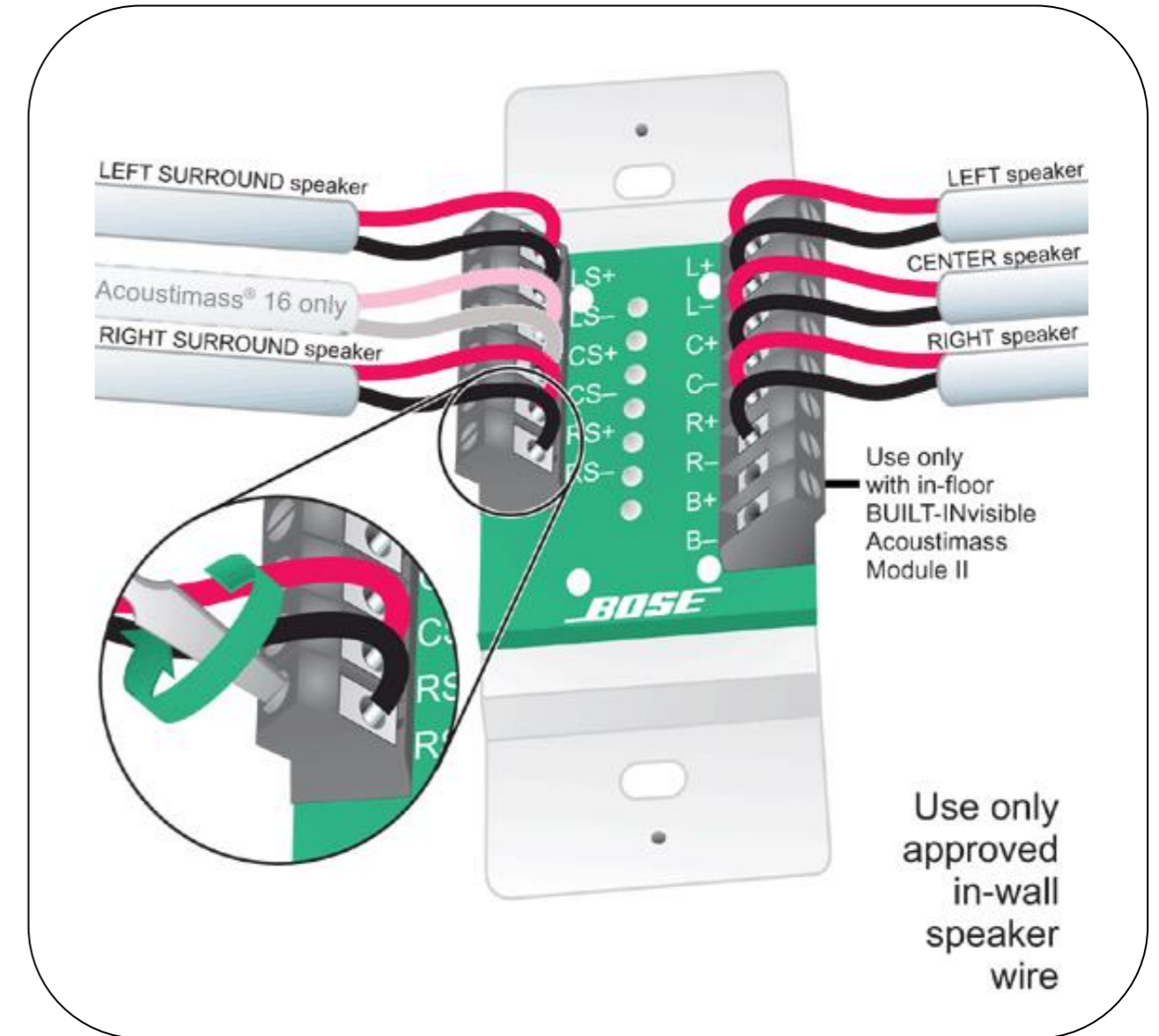


Monday, June 9, 2014

BOSE

Speaker Plate Connections

Wall plates labeled screw terminals
Quick and consistent connection of speaker wire

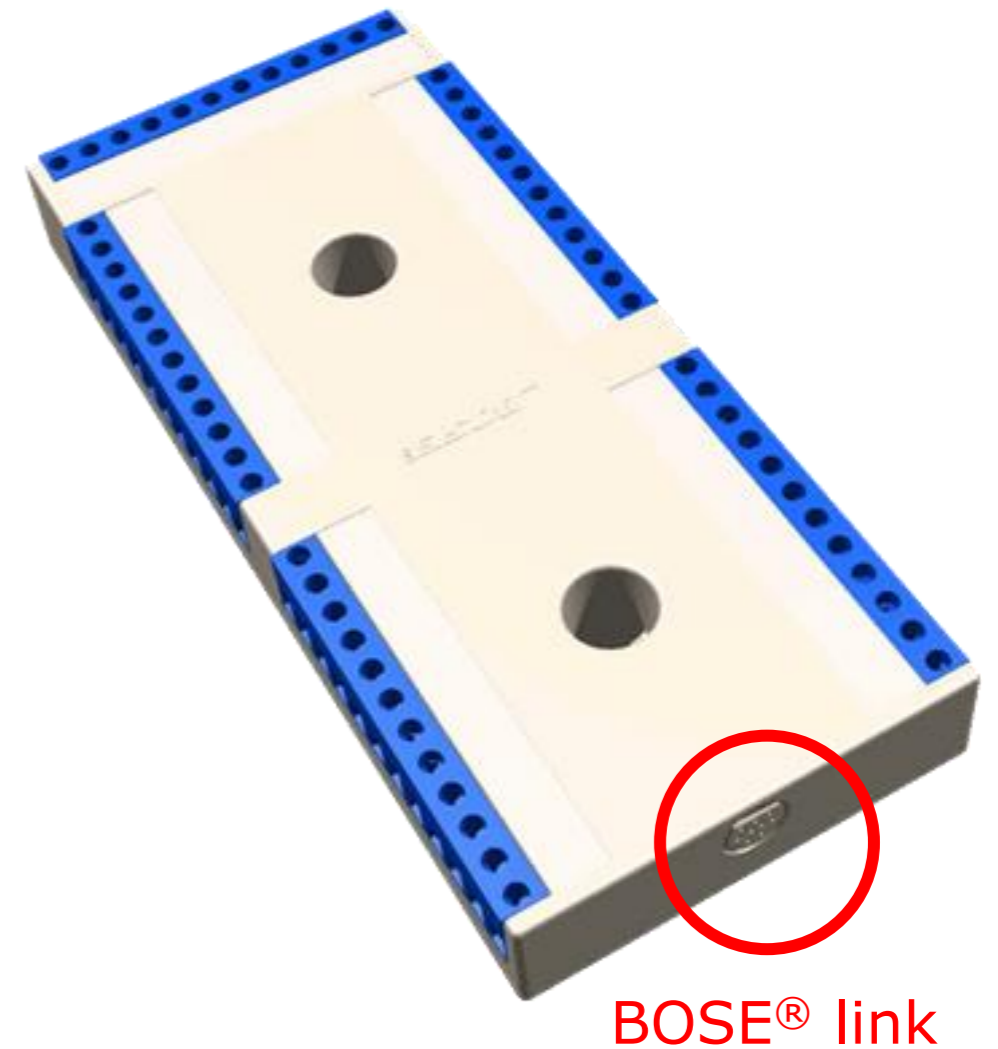


Monday, June 9, 2014

BOSE® link Hub

Extension/Expansion Terminal Block

- Allows an installer to divide the output of one BOSE® link system up to 10 additional BOSE® link solutions
 - Each terminal strip can accommodate up to 2 BOSE® link system cables
- Or one Terminal Strip to four Terminal strips + BOSE® link



Monday, June 9, 2014

BOSE

Wiring Rules BOSE® link Hub – Exception

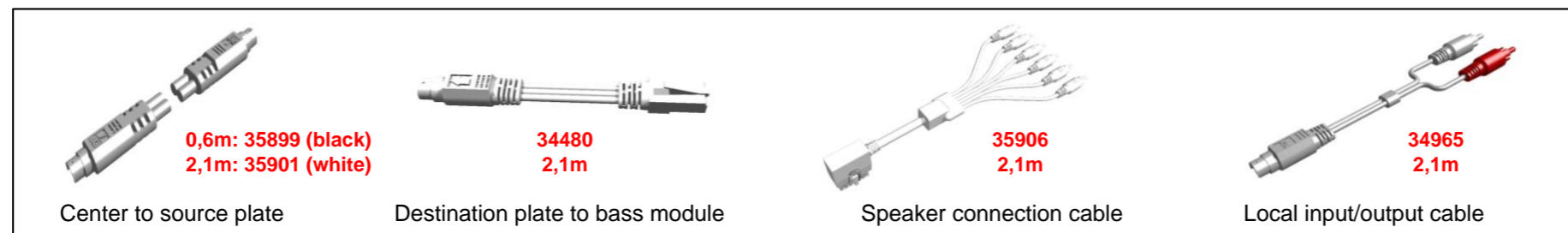
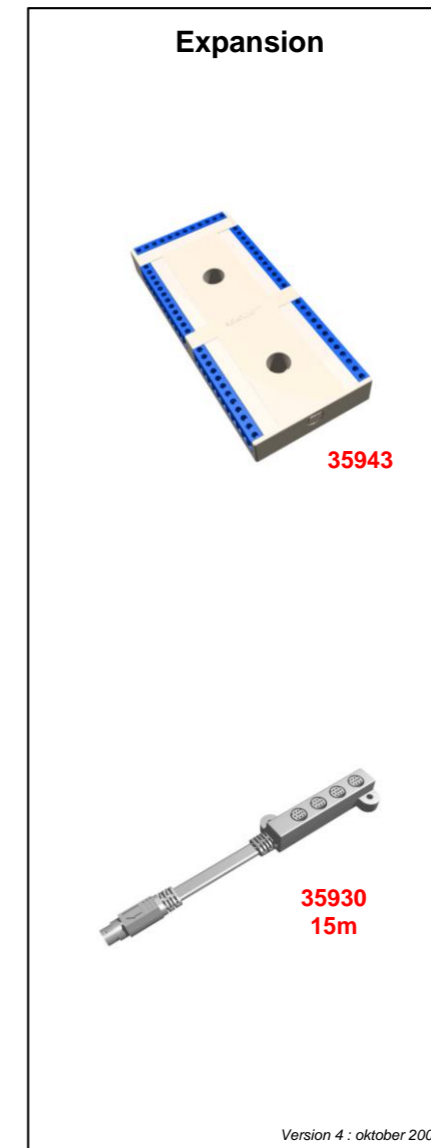
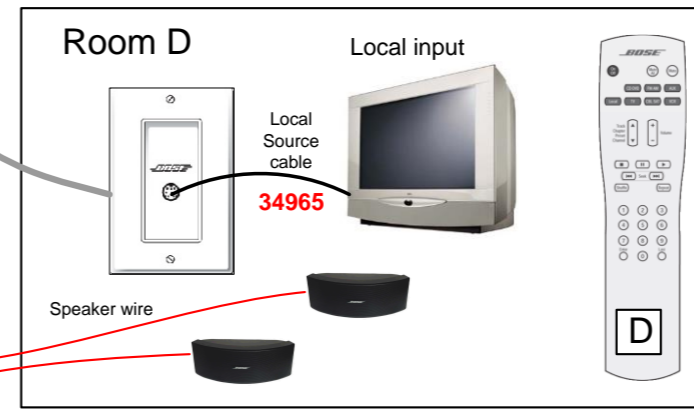
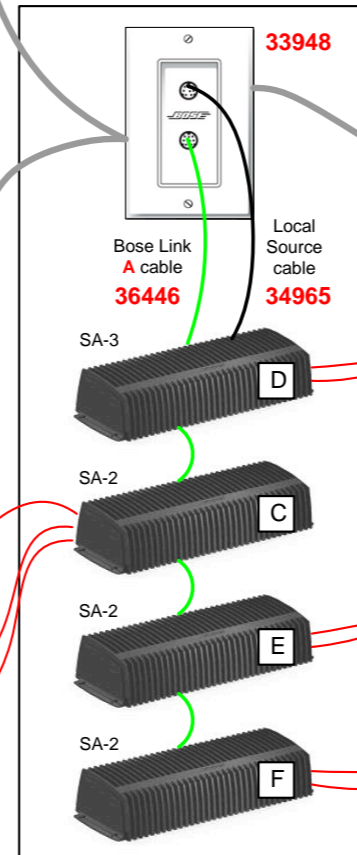
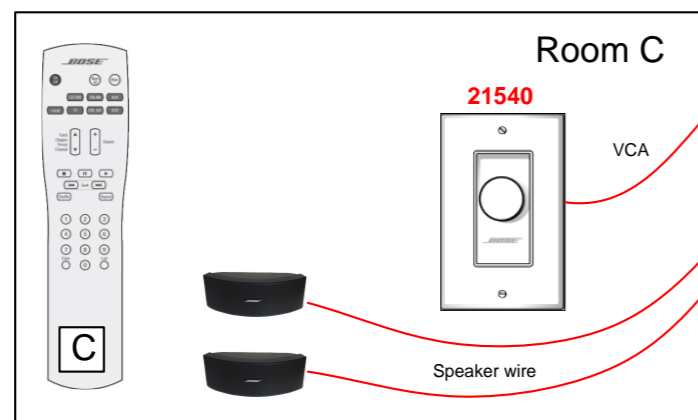
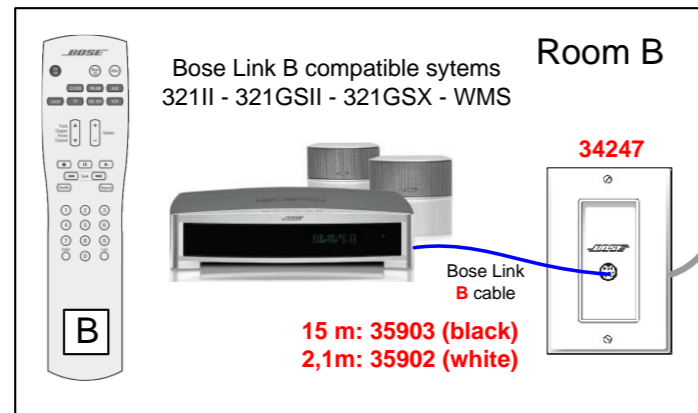
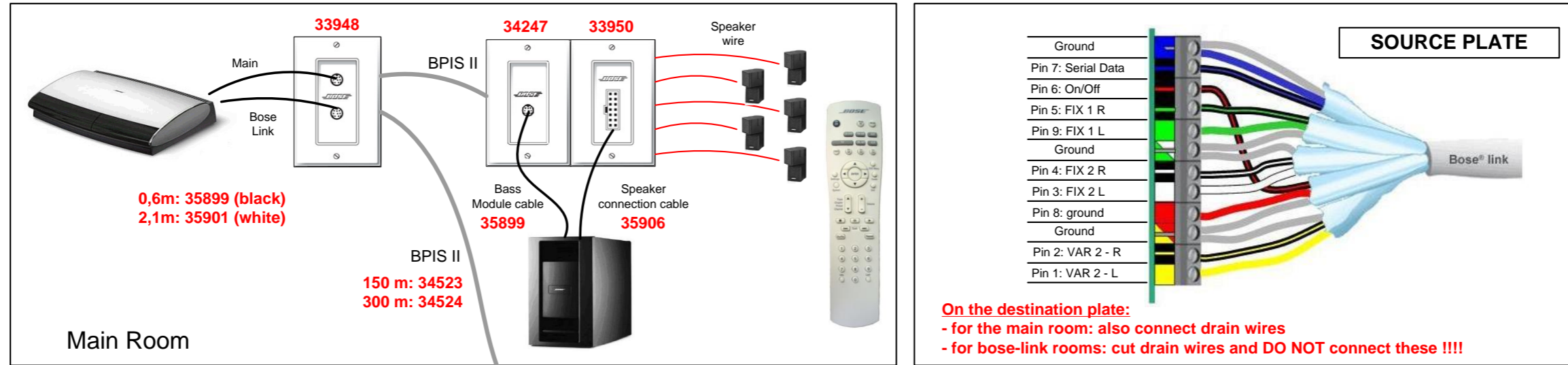
Source System	Source/Destination Plate Location		Destination System
	Source	Destination	
Main Room			
Media Center	<i>Connect all Wires</i>	<i>Connect all Wires</i>	Home Theater Module
BOSE® link rooms			
Media Center	<i>Connect all wires</i>	<i>Trim drain wires</i>	SA amplifier
Local Source	<i>Connect all wires</i>	<i>Trim drain wires</i>	SA amplifier
Media Center	<i>Connect all wires</i>	<i>Trim drain wires</i>	BOSE® link enabled system
Media Center	<i>Connect all wires</i>	<i>Trim drain wires</i>	MA amplifier
Hub	<i>Connect all wires</i>	<i>Connect all wires</i>	All BOSE® link enabled systems



Monday, June 9, 2014

BOSE

BOSE® BPIS overview



BOSE® Professional Installation System

Questions?



Monday, June 9, 2014

