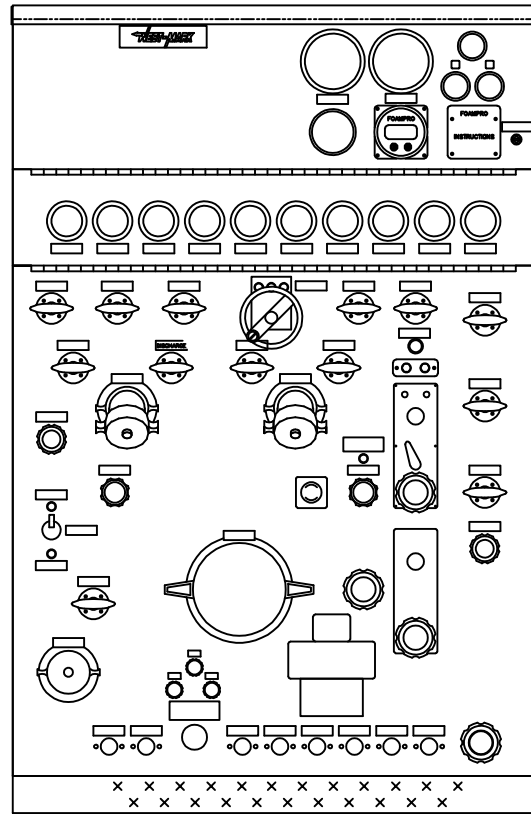


**HALE FOAMPRO SYSTEM
MODEL #2001
WITH 2" FLOW METER TEE**

FOAM SYSTEM TO BE PLUMBED
TO THE FOLLOWING DISCHARGES:

- (2) 1-1/2" CROSSLAY
- (1) 1-1/2" REAR DISCHARGE
- (1) 1-1/2" FRONT BUMPER DISCHARGE
- (1) 1" HOSE REEL

PUMP PANEL LAYOUT



- ALUMINUM DIAMOND PLATE COVERS WITH "D" RING/LATCH & VINYL REAR FLAPS
- (2) EA. CROSSLAYS FOR 200' OF 1-3/4" HOSE WITH ALUM. DIA. PLATE COVER & VINYL SIDE FLAPS
- (2) 500W TELE-LITES TELESCOPIC (1) EA SIDE W/"UP" INDICATOR LIGHT AT PANEL & CAB

- REAR ACCESS HANDRAILS (1) EACH SIDE

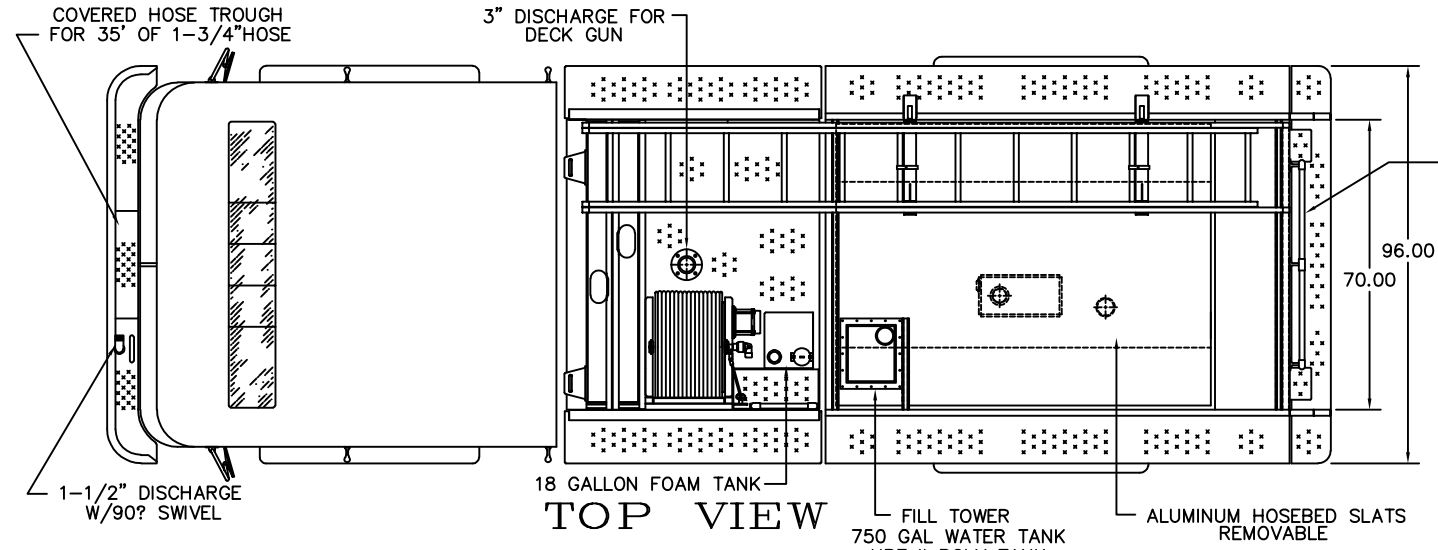
- (5) GROUND ILLUMINATION (1) REAR TAILBOARD (2) EA SIDE UNDER CAB DOORS

- (4) RUB-RAIL (2) EACH SIDE
- (1) STEP LIGHT (4) FOLDING STEPS (2) EACH SIDE

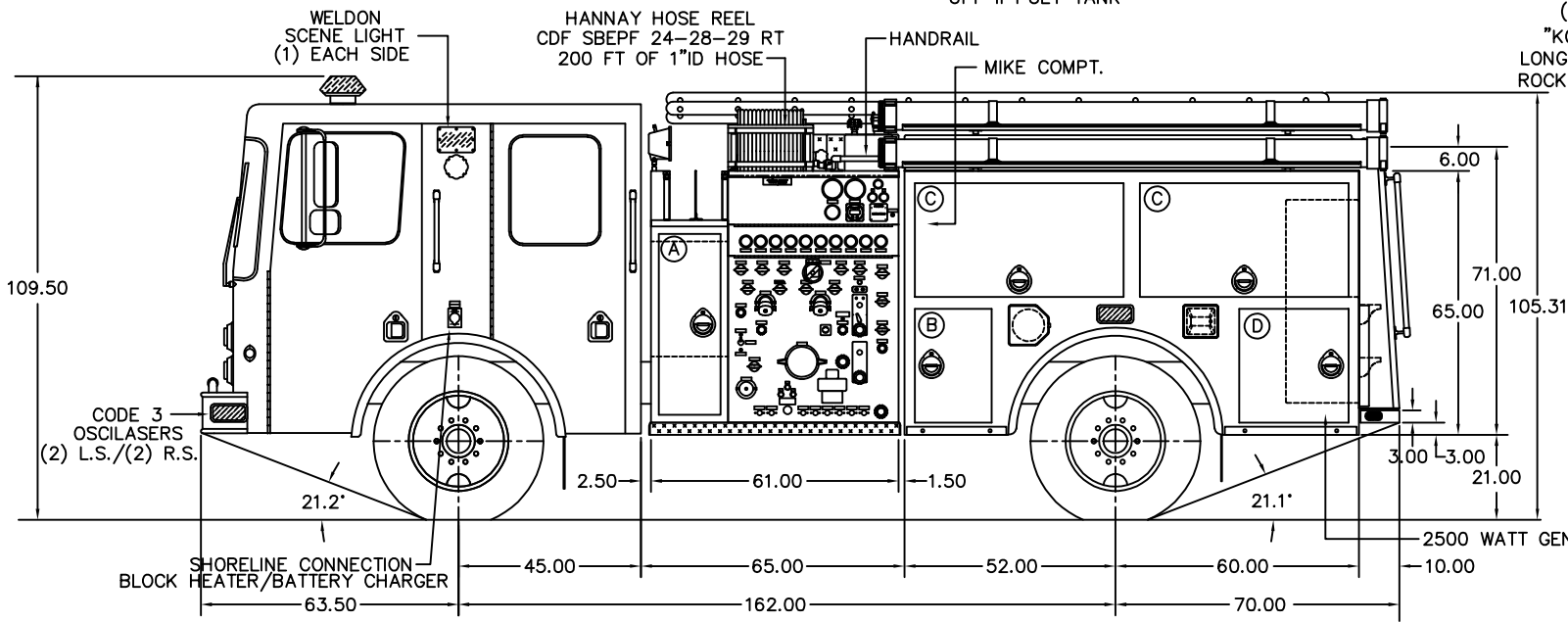
- ACCESS/FOAM SYSTEM PRIMER RESERVOIR WATER PUMP
- REMOVABLE PANEL FOR PUMP ACCESS 295.50
- CHOCK BLOCK STORAGE (1) EACH SIDE

- (4) MUDFLAPS (3) AIR BOTTLE COMPARTMENTS (2) R.S./ (1) L.S.

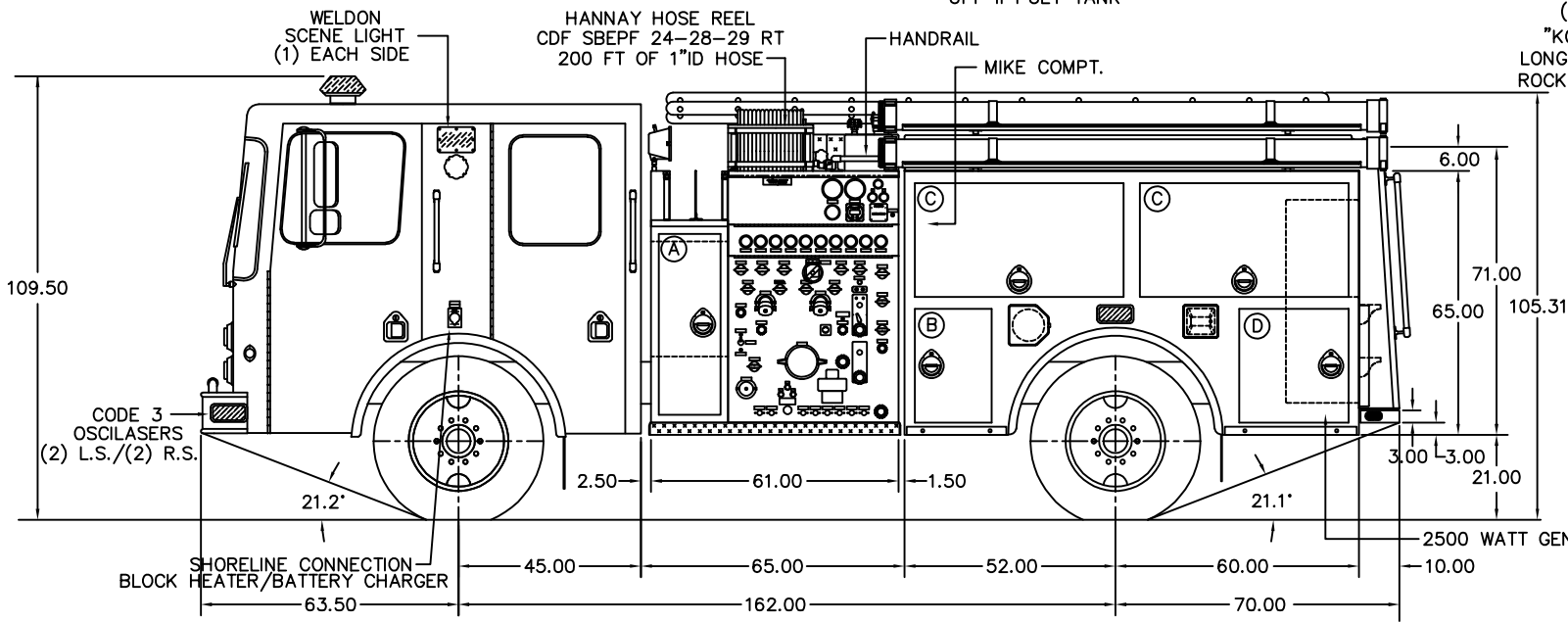
CURBSIDE VIEW



TOP VIEW



ROADSIDE VIEW



COMPARTMENTATION

- (A) - TWO 19.00 WIDE 15.38 HIGH 14.00 DEEP THROUGH ABOVE FRAME 19.00 WIDE 27.38 HIGH 70.00 ACROSS
- (B) - ONE 24.00 WIDE 31.00 HIGH 24.00 DEEP SLIDE OUT DRAWER W/STOPS & PADDLE LATCH
- (C) - ONE 112.00 WIDE 31.00 HIGH 13.00 DEEP
- (D) - ONE 32.00 WIDE 31.00 HIGH 24.00 DEEP GENERATOR SLIDE OUT TRAY W/2 POSITION LOCK
- (E) - ONE 70.00 WIDE 24.00 HIGH 18.00 DEEP
- (F) - ONE 48.00 WIDE 26.00 HIGH 18.00 DEEP
- (G) - ONE 24.00 WIDE 31.00 HIGH 24.00 DEEP LOWER AREA ONE 24.00 WIDE 31.00 HIGH 13.00 DEEP UPPER AREA
- (H) - ONE 48.00 WIDE 31.00 HIGH 13.00 DEEP
- (I) - ONE 32.00 WIDE 31.00 HIGH 24.00 DEEP LOWER AREA ONE 32.00 WIDE 31.00 HIGH 13.00 DEEP UPPER AREA

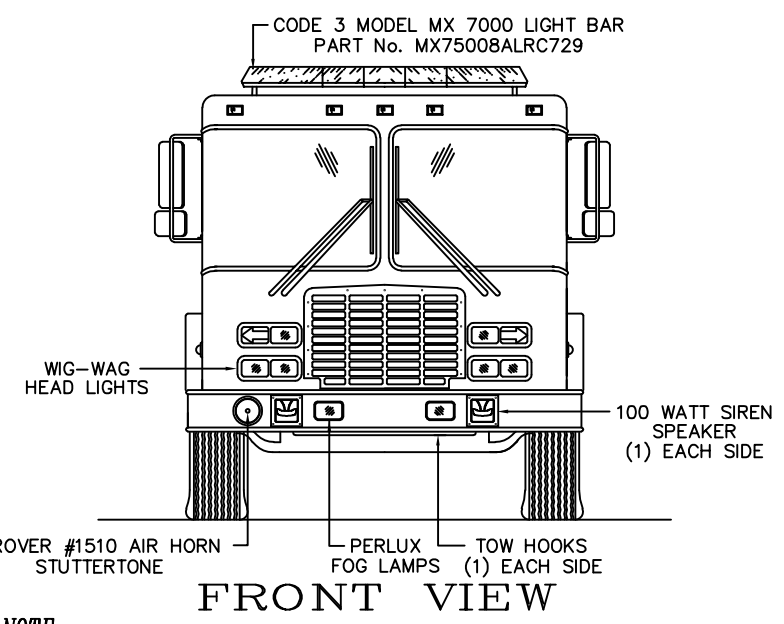
NOTE: ALL COMPARTMENTS TO HAVE (1) ALUMINUM SHELF

COMPARTMENT LIGHTING

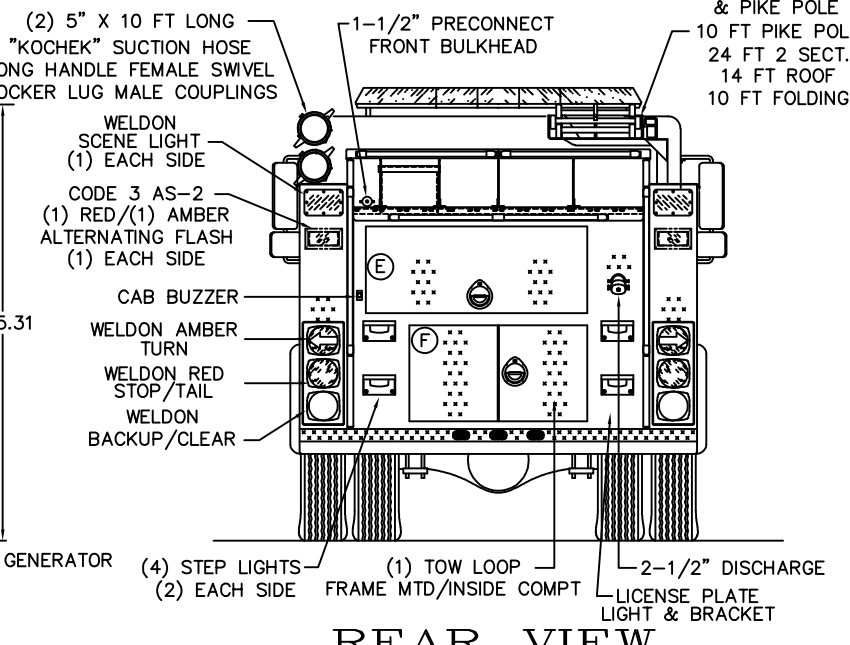
- (2) ENGINE COMPARTMENT / LID ACTIVATED
- (2) PUMP COMPARTMENT W/SWITCHES
- (2) HOSE BED
- (4) "A" COMPARTMENT FORWARD WALL
- (3) "H","C",&"E" COMPARTMENT
- (2) EACH / ALL OTHER COMPARTMENTS

HOSE BED CAPACITY

- MINIMUM
- 400' OF 1-3/4" HOSE
- 1500' OF 2-1/2" HOSE



FRONT VIEW



REAR VIEW

NOTE:
DIMENSIONS SHOWN ARE APPROXIMATE AND SUBJECT TO MINOR DEVIATIONS AS MAY OCCUR OR BE NECESSARY IN CONSTRUCTION. MINOR DETAILS NOT SHOWN. WHERE THERE MAY BE NONCONFORMITY BETWEEN THE ILLUSTRATION AND THE SALES ORDER, THE SALES ORDER AND ALL APPROVED SALES ORDER CHANGES WILL PREVAIL

REVISIONS			
SYM.	DATE	BY	REVISION
A	7-12-95	SSS	PER PRECONSTRUCTION CONFERENCE

UNLESS OTHERWISE SPECIFIED:
DIMENSIONS ARE IN INCHES
HUNDREDTHS ± .06
ANGLES ± 1/2°

OFFICE OF EMERGENCY SERVICES
600 GAL WATER TANK
1500 GPM MIDSHIP PUMP

WEST-MARK
2704 RAILROAD AVE. CERES CA. 95307 (209)537-4747

DWG BY SCHULTZ	SCALE 1/2" = 1'	REV A
DATE 5-11-95	SHEET 1 OF 1	JOB NO. 27809 DWG. NO. 27809PE