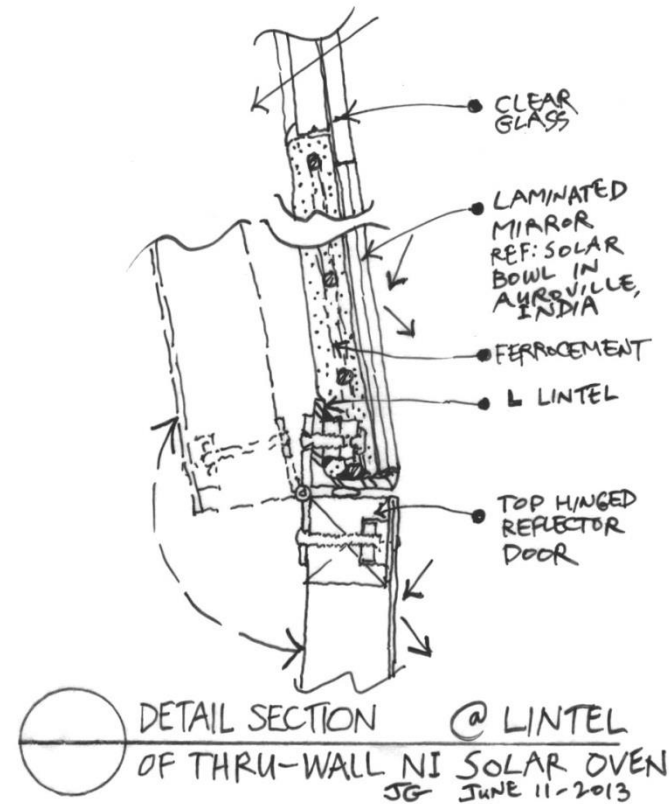
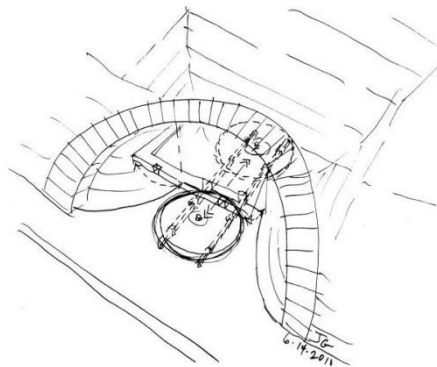


PLAN



### Thru-wall fixed reflector concentrator

An arched opening tall enough for the top-hinged door-reflector to be held open near vertical adjacent to the inside of the ferrocement lintel. The door rotates upward limited by the incline angle of the reflector CPC-substrate ferrocement lintel. A steel-ferrocement lintel above a top hinged reflector door has a small window for daylighting. There is a form harmony with the shallow archways above the solar oven door, and shallow vault roof structures.